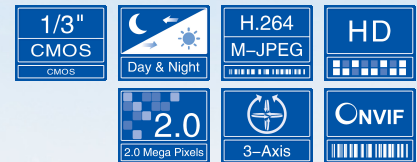


VS120-A2 Series

HD 2MP HDR Low Light IP Minidome Camera

Infinova[®]
The Integrator's Manufacturer



- **1/3" progressive scan CMOS sensor**
- **IR-Cut Removable (ICR) Filter for Day/Night switching**
- **Sensitivity: 0.005 lux**
- **Motorized zoom lens for auxiliary focus**
- **Support P-IRIS function**
- **Support WDR function**
- **Multiple intelligent functions**
- **High-resolution image signal output up to 1920×1080@60fps**
- **Three Simultaneous Video Streams: Dual H.264 & Scalable M-JPEG**
- **Support built-in and mirror storage**
- **Support fixed-time recording and snap shooting**
- **Local recording**
- **Bi-directional audio, PCM/ADPCM/G726/G711 standard**
- **1 alarm input, 1 relay output**
- **Support multiple ways to trigger alarms**
- **Up to four definable privacy mask areas**
- **Compatible with Infinova's digital video surveillance software, easily incorporated with other video surveillance software**
- **ONVIF-compliant**
- **Provide standard SDK, easily integrated with other digital systems**
- **PoE/24VAC power supply**
- **Surface or bracket mount**
- **3-axis adjustment**
- **Rugged design (IK10)**
- **IP66 environmental rating**

Infinova's VS120-A2-B0 series megapixel HDR low light IP minidome cameras allow image output resolution up to 1920×1080@60fps. The camera provides excellent resolution and color reproduction, acquires richer and more accurate details and guarantees intelligent analysis accuracy in a more effective way, which caters for different application needs.

VS120-A2-B0 series boasts of rich intelligent functions, such as illegal damage detection (to protect the lens from shielding or deviating), motion detection, wire cross detection, queue monitoring, people counting and customer focus detection. The camera applies to various high-end businesses.

Compact structure makes it easy to install. Also, this camera provides 3-axis adjustment, easy to adjust the monitoring angle.

VS120-A2-B0 series camera is designed for municipal construction and intelligent buildings. Particularly, it is widely used in sports center, exhibition center, museums and star-grade hotels

Technical specifications

Image Sensor	1/3" lowlight progressive scan CMOS
Lens	Motorized zoom lens, F1.2, f=3.0-9.0mm F1.4, f=2.8-12mm
P-IRIS	Available
Camera Angle Adjustment	X (Panning): 0°~360°; Y (Tilting): -75°~75°; Z (Rotating): 0°~360°
Day/Night Functionality	ICR
Sensitivity	Color mode: 0.05 Lux @ F1.2 (30IRE, AGC ON); B/W mode: 0.005 Lux @ F1.2 (30IRE, AGC ON)
Exposure	Scene/Manual/Shutter Priority
Shutter	Auto/Manual (1/1s~1/32000s)
DSS	Available
Gain Control	Auto/Manual
White Balance	Auto/ Outdoor/Manual
Noise Reduction	3D
HDR	Available, >120dB
Video Adjustment	Brightness, Sharpness, Contrast, Hue, Saturation
Video Compression	H.264 High profile/M-JPEG
Maximum Resolution	1920×1080@H.264/M-JPEG
Optional Resolution	Major stream: 1920×1080, 1280×960, 1280×720, 720×576, 352×288 Minor stream1: 720×576, 352×288 Minor stream2: 1920×1080, 1280×960, 1280×720, 720×576, 352×288
Maximum Frame Rate	60fps@H.264
Data Rate	Variable bit rate; Constant bit rate: 256Kbps~8Mbps
Audio Compression	PCM/ADPCM/G726/G711_U
Audio Port	1 input (Linear level, Resistance: 1000 Ohm), 1 output (Linear level, Resistance: 600 Ohm)
Web Server	Available
Upgrade Online	Available
Password Protection	Available

Intelligent Video Analysis	Illegal damage detection, motion detection, wire cross detection, retro gradation detection, queue monitoring, people counting, customer focus detection, etc. (other functions can be realized by upgrading the intelligent library)
Timing Functions	Timing snap shooting and recording
Built-in Storage	Available, up to 32G (snap shooting and recording can be stored)
Mirror Storage	SD card off-net video can be uploaded to the VMS or NVR automatically after network restoration
Motion Detection	Up to 4 areas
Privacy Mask	Up to 4 masks
Access Protocols	ONVIF2.4, CGI2.6
Network Port	One RJ45 10/100M self-adaptive Ethernet port
Applicable Protocols	IPv4, TCP, UDP, IGMP, DHCP, FTP, SNMP (V3), SMTP, NTP, RTP, RTSP, RTCP, HTTP, HTTPS, TSL, SSL, QoS, PPPoE, DNS, ARP, ICMP
Alarm	1 alarm input, 1 relay output
Power Supply	PoE (IEEE 802.3af Class 3) /24VAC
Power Consumption	< 12W(outdoor, w/ heater)
Operating Temperature	-40°F ~ 140 °F (-40°C ~ 60°C, w/ heater)
Storage Temperature	-4°F~140°F (-20°C~+60°C)
Operating Humidity	0%-95% RH (non-condensing)
Unit Dimensions (H×Ø)	Surface: 5.08"×5.91" (129mm×150mm); Bracket: 8.35"×7.13" (212mm×181mm)
Box Dimensions (L×W×H)	Surface: 8.03"×7.48"×7.13" (204 mm×190 mm×181mm) Bracket mounting adapter: 9.21"×8.66"×7.24" (234 mm×220 mm×184 mm)
Unit Weight	Surface: 2.73lbs (1.24Kg) Bracket mounting adapter: 1.41lbs (0.64Kg)
Shipping Weight	Surface: 3.26lbs (1.48Kg) Bracket mounting adapter: 2.20lbs (1Kg)
Certifications and Approval	
Product Certifications	CE/EMC: EN 55022, EN 55024, EN 61000-3-2, EN 61000-3-3 ¹ , FCC: Part 15 Subpart B Class A ² , UL 60950-1 ³ , ISO 9001:2008

Certificate No.: ¹ CTL1411062680-EC; ²CTL1411062680-FC; ³E232008-A37-UL.

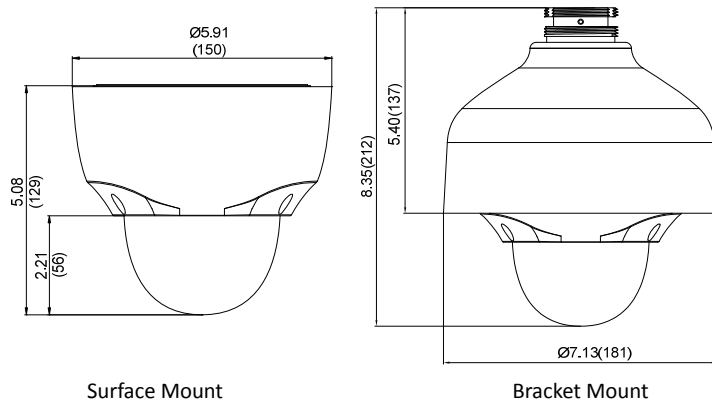
Ordering information

VS120-A20A-B022	HD Megapixel IP minidome camera, 3-axis, Day/night, 1/3 inch CMOS sensor, H.264/M-JPEG, 2.0 Mpx, PoE/24VAC, Outdoor, Surface mount, 3.0-9.0mm vari-focal lens
VS120-A20A-B062	HD Megapixel IP minidome camera, 3-axis, Day/night, 1/3 inch CMOS sensor, H.264/M-JPEG, 2.0 Mpx, PoE/24VAC, Outdoor, Bracket mount, 3.0-9.0mm vari-focal lens
VS120-A20B-B022	HD Megapixel IP minidome camera, 3-axis, Day/night, 1/3 inch CMOS sensor, H.264/M-JPEG, 2.0 Mpx, PoE/24VAC, Outdoor, Surface mount, 2.8-12mm vari-focal lens
VS120-A20B-B062	HD Megapixel IP minidome camera, 3-axis, Day/night, 1/3 inch CMOS sensor, H.264/M-JPEG, 2.0 Mpx, PoE/24VAC, Outdoor, Bracket mount, 2.8-12mm vari-focal lens

Mounts for bracket mount model

V1761MT-W1	Wall Mount, 6 inch horizontal, high gloss white, NPT 1 1/2"
V1762MT-W1	Corner Mount, 6 inch horizontal, high gloss white, NPT 1 1/2"
V1763MT-W1	Pole Mount, 6 inch horizontal, high gloss white, NPT 1 1/2"

Dimensions



(Unit: inch, in the parentheses is mm)